

Rev.	Sym.	Q'TY	ICN/ECN NO	Changed by	Date
V1.0			the first release		

COMPANY CONFIDENTIAL

A

A

B

B

C

C

D

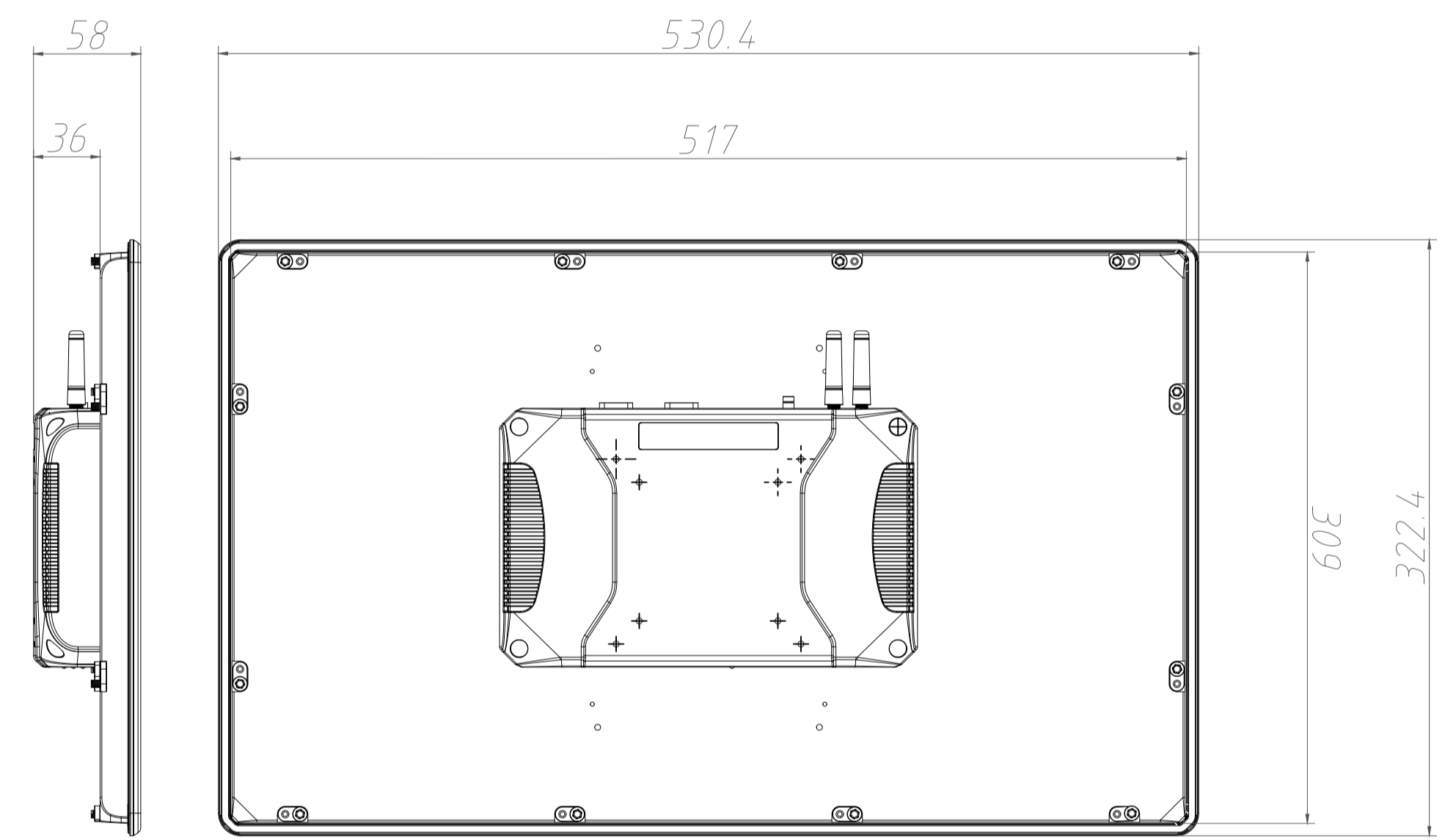
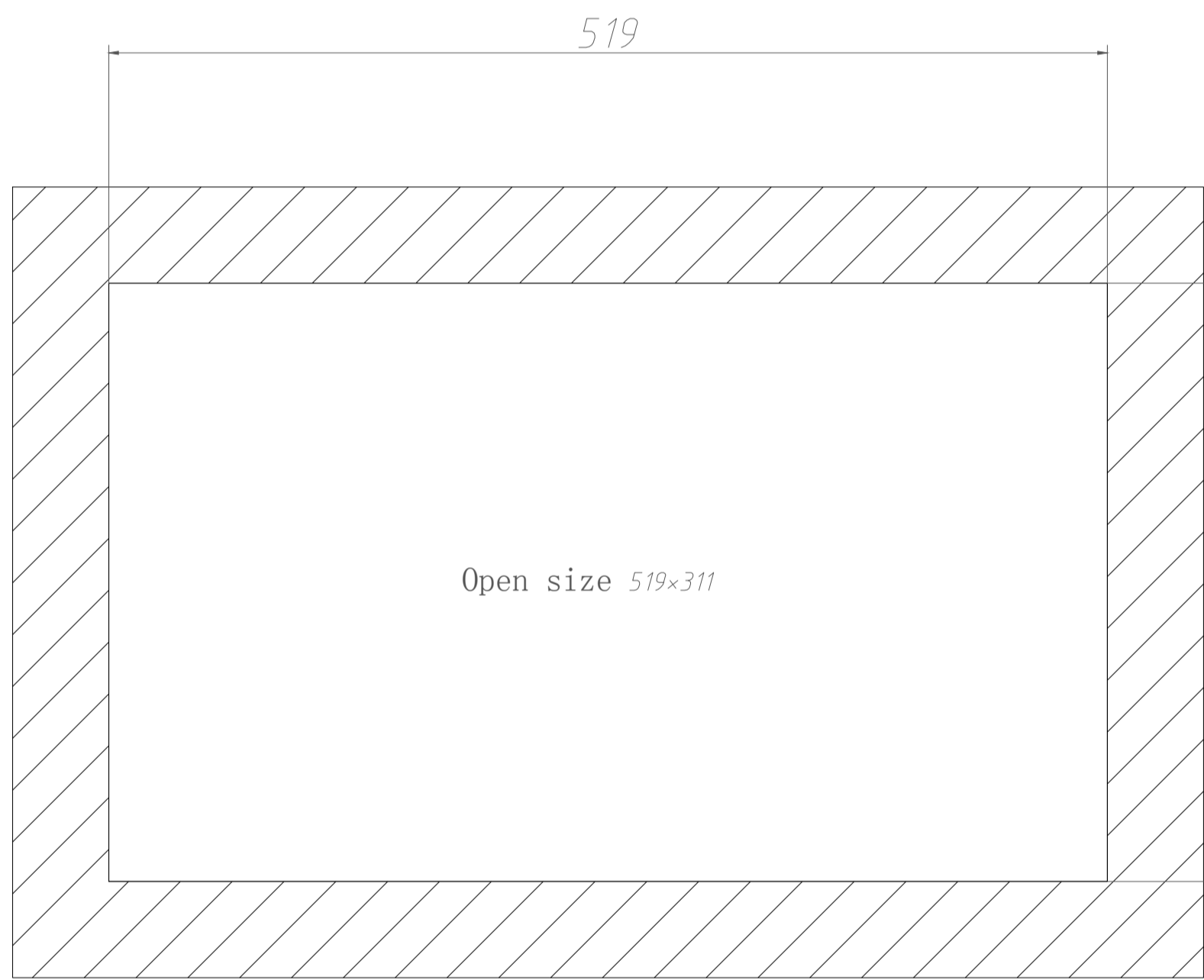
D


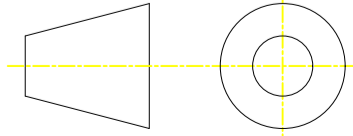
E

E

F

F



 <b>PANELMATE</b> Creative HMI Solution <small>First angle system</small> 	Project Name :		Part Name		
	Design		Part No		
	Check		Material	See Notes	Size:      Scale: 1:1
	Approve		Process	See Notes	Unit: mm      Sheet: 1 of 1

1

2

3

4

5

6

7

8